



ViscoTec – Newsletter 07 / 2010
New product information: ViscoPro-M



New product information: 1-component dosing system ViscoPro-M

Some time ago ViscoTec already informed you about a new dispenser for small dosing quantities. In the meantime we did a lot of testing to find the perfect design and features of the system. Now the dispenser is ready! It is a unique dosing system consisting of the dispenser itself and a small ViscoPro- drive- / and control unit. So you have the combination of advantages: a dispenser for small dosing quantities (0.05 ml/turn, smallest dosing quantity 0.004 ml) with the same accuracy and repeatability like the other ViscoTec-dispenser and the ViscoPro-drive- / and control unit. The ViscoPro-unit is a completely new development: it is very small and compact unit with less weight, so that it could be easily used for automated and robot solutions. The motor- / control unit itself has the same features like the standard (ViscoPro-C) version.



New product information: 1-component dosing system ViscoPro-M

Advantages and features of the dispenser (3 RD4):

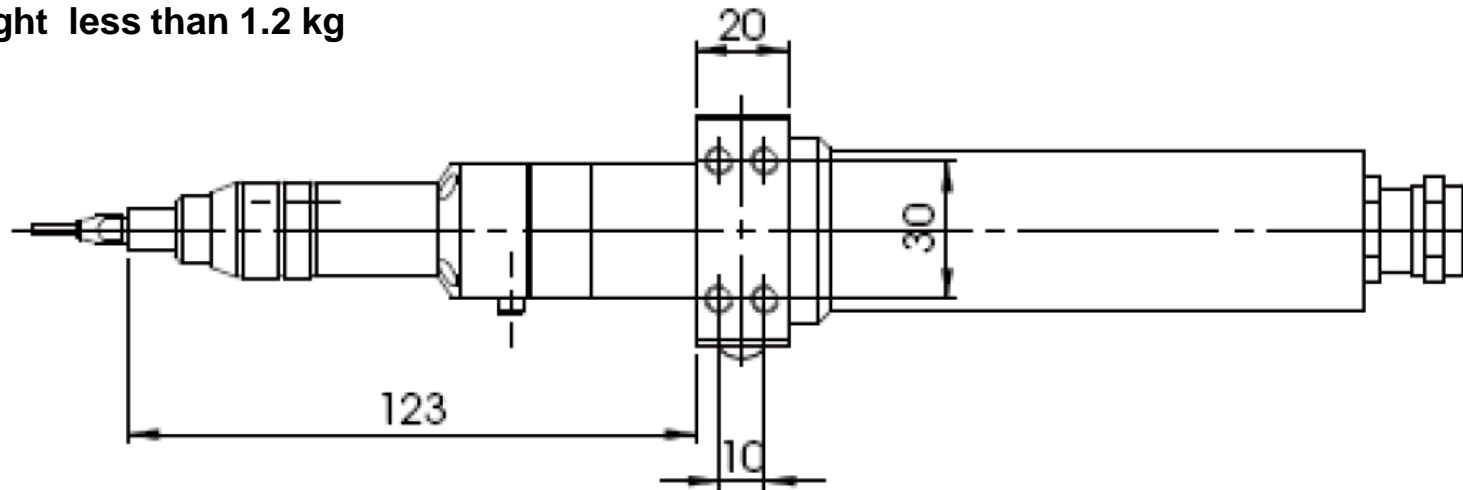
The dispenser (3 RD4) is a dispenser for smallest dosing quantities for automated and robot solutions. Like the other ViscoTec-dispenser the 3 RD4 is especially suitable for highly viscous, shear sensitive or abrasive fluids. The dosing of smallest dots or beads and lines is no problem for this dispenser. So the design of rotor and stator and all other parts offers the customer a wide range for dosing different kinds of fluids (e.g. silicones, adhesives, grease, paints, sealants, etc.). Due to the special high pressure sealing there is (nearly) no limit of viscosity.

The technical data of the dispenser are:

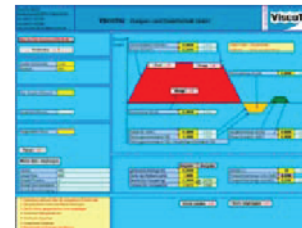
Dosing volume:	0.05 ml / turn
Flow-rate:	0.05 – 6.0 ml / turn
Minimum dosing quantity:	0.004 ml
Dosing accuracy:	+/- 1 %
Connection at suction-side:	DIN ISO 228, G 1/8"
Connection pressure-side:	Luer-Lock

New product information: 1-component dosing system ViscoPro-M

Weight less than 1.2 kg



communication



New product information: 1-component dosing system ViscoPro-M

Advantages and features of the ViscoPro-unit:

The ViscoPro drive- / and control unit has the same advantages as the standard ViscoPro-version. So the parameters could easily be controlled by a computer (RS 232- interface). Also the combination with a PLC is a standard feature of the system: with the external signals for start-/ stop or dosing quantity (analogue 0-10 V-signal) the dispenser is the best solution to integrate for automated or robot applications. The dosing output is proportional to the speed of the drive unit. Also a suck back function is necessary to avoid dripping and allows to have a very clean process. A lot of important dosing parameters could be adjusted with the ViscoPro-unit. The system is independent from viscosity or temperature influences and ideal for industrial applications and very easy to integrate in existing systems, e.g. instead of valves.

The technical data of the ViscoPro are:

Electrical data (power supply):	100 VA, 230 V, 50 Hz
Input signals:	start quantity dosing, start/stop, speed control 0-10 V / 0-24V
Output signals:	end of dosing (ready signal), failure signal
All cables and software included	